



MIND THE GAP

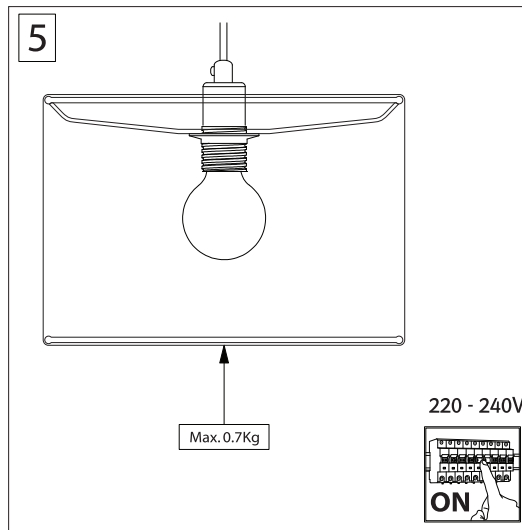
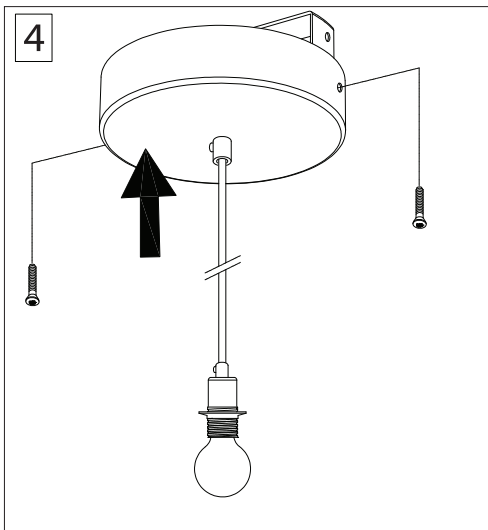
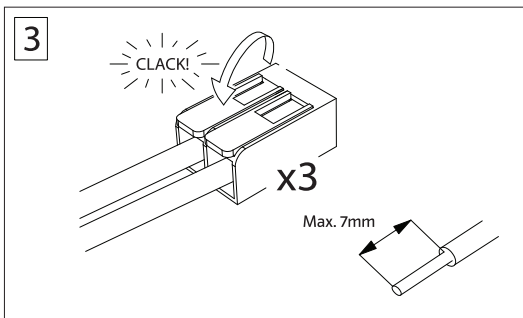
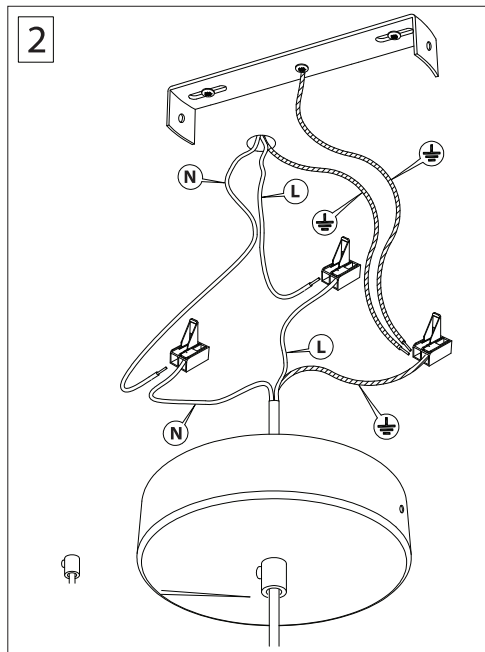
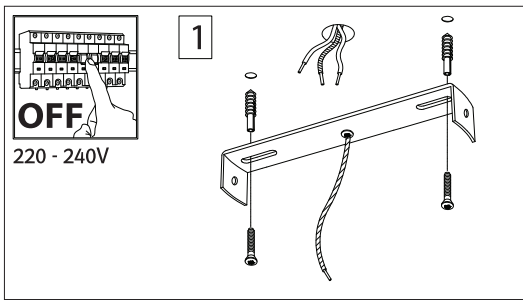
DESIGN & SUPPLY

HOW TO INSTALL OUR PENDANT LAMP

OUR PENDANTS ARE EASY TO INSTALL. STILL, IN ORDER TO AVOID HAZARDS, WE RECOMMEND TO WORK WITH A PROFESSIONAL.

BEFORE INSTALLING THE LAMP

- Please check that you have all the components in order to proceed with the installation.
- CAUTION! Disconnect the electrical power during the installation.
- Be sure your ceiling is strong enough to hold the pendant lamp including the metallic ceiling rose and lamp holder (aprox. 1,2kg).
- Please be sure that the pendant lamp will be installed in accordance with all relevant local Building Regulations.
- All our pendants come with E27 lamp holder. We recommend to use Max 57W bulb or 4-6W LED bulb.



PLEASE NOTICE!

IF THE EXTERNAL FLEXIBLE CABLE OF THIS LAMP IS DAMAGED, IT SHALL BE EXCLUSIVELY REPLACED BY THE MANUFACTURER OR HIS SERVICE AGENT OR A SIMILAR QUALIFIED PERSON IN ORDER TO AVOID HAZARDS.